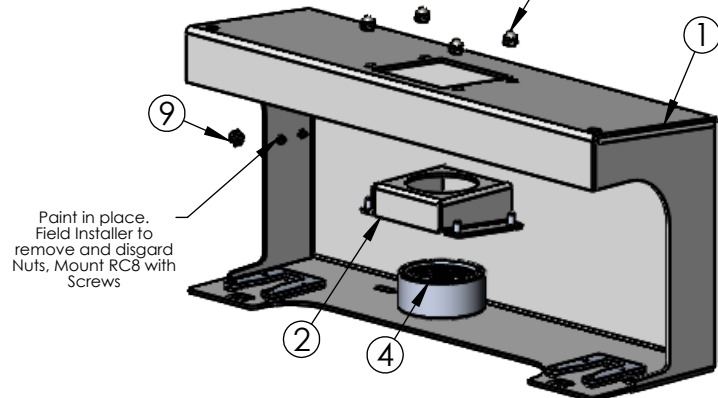
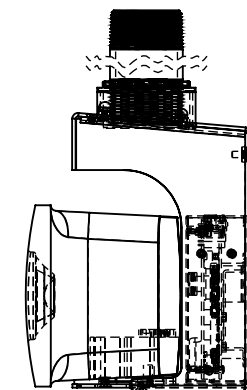
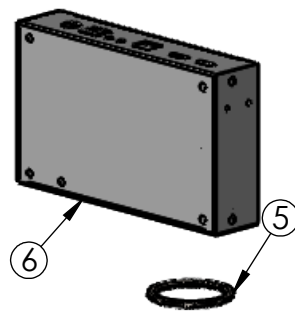
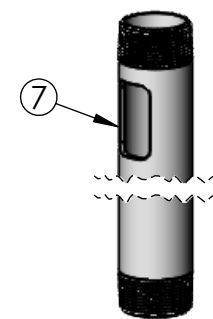
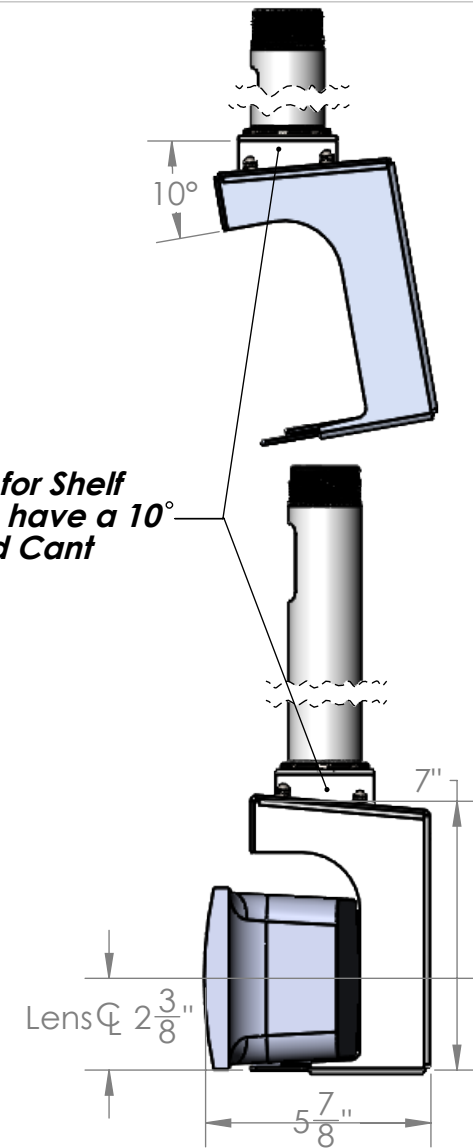
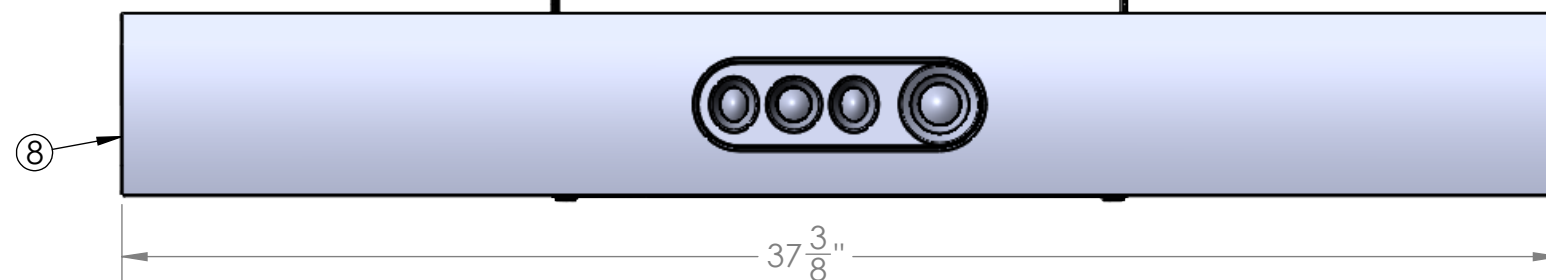


Rotate 180° for Shelf
And Camera to have a 10°
Downward Cant



Paint in place.
Field Installer to
remove and discard
Nuts, Mount RC8 with
Screws

Not Supplied
Not Supplied
Not Supplied

ITEM NO.	PART NUMBER	DESCRIPTION	QTY.
1	813-1152	RCP-CQC Camera Plate Assy	1
2	812-1152	RCP-CQC Bracket	1
3	850-0008	Cap Nut, 8-32, White	4
4	845-0012	1-1/2" Half Coupling Aluminum Pipe Fitting	1
5	845-0013	1-1/2 NPSM Zinc-Plated Steel Locknut	1
6	rc8_tx-asm-20190501	RC-8-Tx Assembly	1
7	CMS060W	CHIEF 60 Inch Fixed Extension Column, Pole	1
8	Cisco Quad Camera	Camera (Not Supplied)	1
9	850-0005	#8-32 Kepsnut	1

PROPRIETARY AND CONFIDENTIAL
THE INFORMATION CONTAINED IN THIS
DRAWING IS THE SOLE PROPERTY OF
Sound Control Tech. ANY
REPRODUCTION IN PART OR AS A WHOLE
WITHOUT THE WRITTEN PERMISSION OF
Sound Control Tech. IS PROHIBITED.

SCT Sound Control Technologies
22 South Smith Street
Norwalk, CT 06855
(203) 854-5701
www.soundcontrol.net

TITLE:
**RCP-CQC Pole Mount
for CQC Camera**

SIZE **B** DWG. NO. FIN-RCP-CQC-0 REV **A**
800-1152-01

NAME G.E.G. DATE 4/5/2024 SHEET 1 OF 1