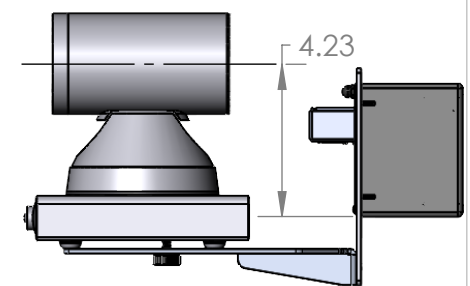
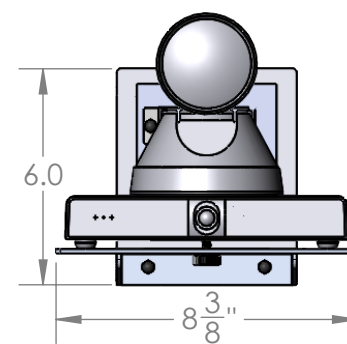
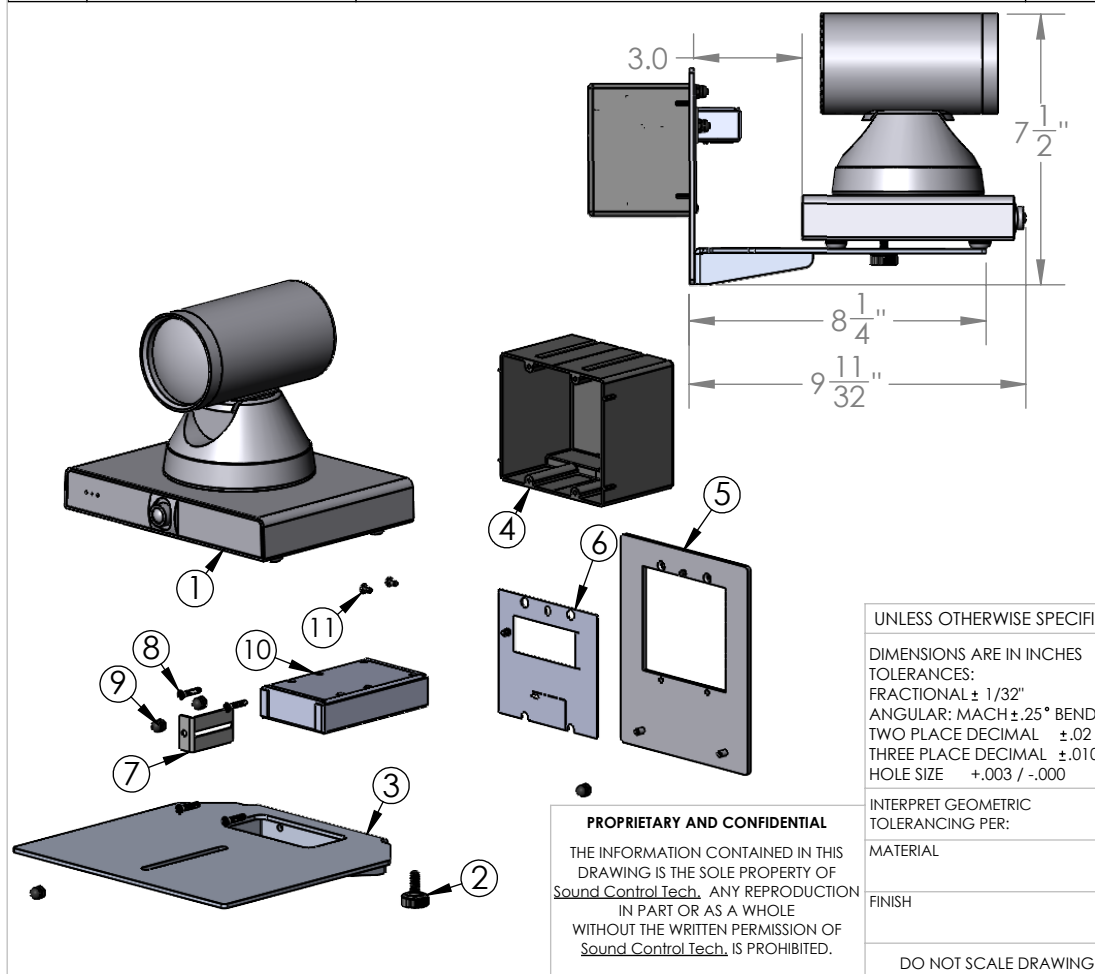
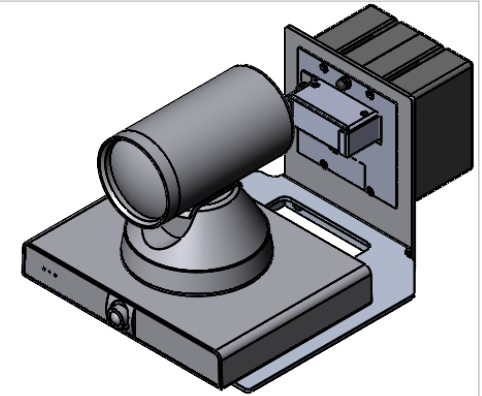
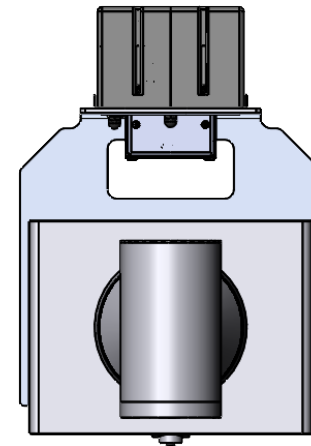


ITEM NO.	PART NUMBER	DESCRIPTION	QTY.
1	E60	Poly Camera <b>NOT Supplied</b>	1
2	860-0068	1/4"X20X5/8" Plastic-Head Thumb Screws,SS, Blk	1
3	829-1109	Camera Plate for RCM-URMX	1
4	2GANG BOX	2 Gang Wall Box <b>NOT Supplied</b>	1
5	803-1102	RC5 WALL MOUNT PLATE	1
6	802-1102	RC_CE WALL MOUNT Cover	1
7	801-1102	Bracket- Mounting	1
8	860-0006	#6-32x3/4"Oval Head Phillips Machine Screw Blk Ox	4
9	850-0002	Cap Nut, 8-32, Blk Ox	4
10	Shown For Ref. Only	RC-Tx <b>NOT Supplied</b>	1
11	860-0040	#6-32 X 1/4" Pan Head Phillips Machine Screw Zinc	2



UNLESS OTHERWISE SPECIFIED:

DIMENSIONS ARE IN INCHES  
 TOLERANCES:  
 FRACTIONAL ± 1/32"  
 ANGULAR: MACH ± .25° BEND ± .5°  
 TWO PLACE DECIMAL ± .02  
 THREE PLACE DECIMAL ± .010  
 HOLE SIZE +.003 / -.000

INTERPRET GEOMETRIC TOLERANCING PER:

MATERIAL

FINISH

DO NOT SCALE DRAWING

**PROPRIETARY AND CONFIDENTIAL**  
 THE INFORMATION CONTAINED IN THIS DRAWING IS THE SOLE PROPERTY OF Sound Control Tech. ANY REPRODUCTION IN PART OR AS A WHOLE WITHOUT THE WRITTEN PERMISSION OF Sound Control Tech. IS PROHIBITED.

	NAME	DATE
DRAWN	G.E.G.	7/1/2024
CHECKED		
ENG APPR.		
MFG APPR.		
Q.A.		

COMMENTS:  
**Use with E60 Poly**

**SCT** Sound Control Technologies  
 22 South Smith Street  
 Norwalk, CT 06855  
 (203) 854-5701  
[www.soundcontrol.net](http://www.soundcontrol.net)

TITLE: <b>RCM-URMX</b>		
SIZE	DWG. NO.FIN-MOUN-URMX-0	REV
<b>A</b>	<b>800-1121-01</b>	<b>A</b>
SCALE: 3:16	WEIGHT:	SHEET 1 OF 1