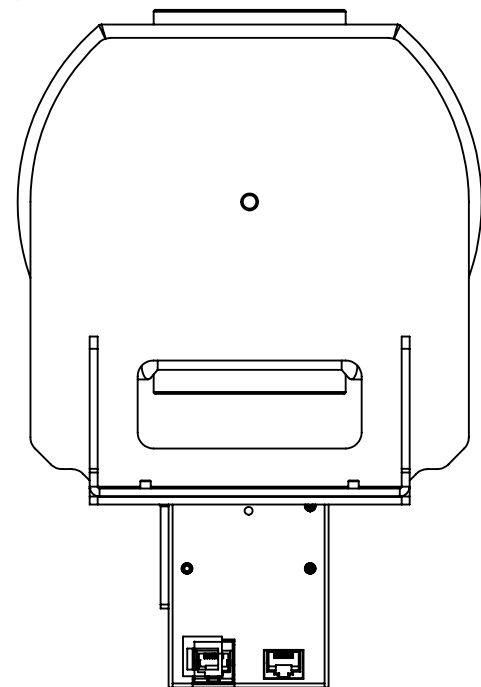
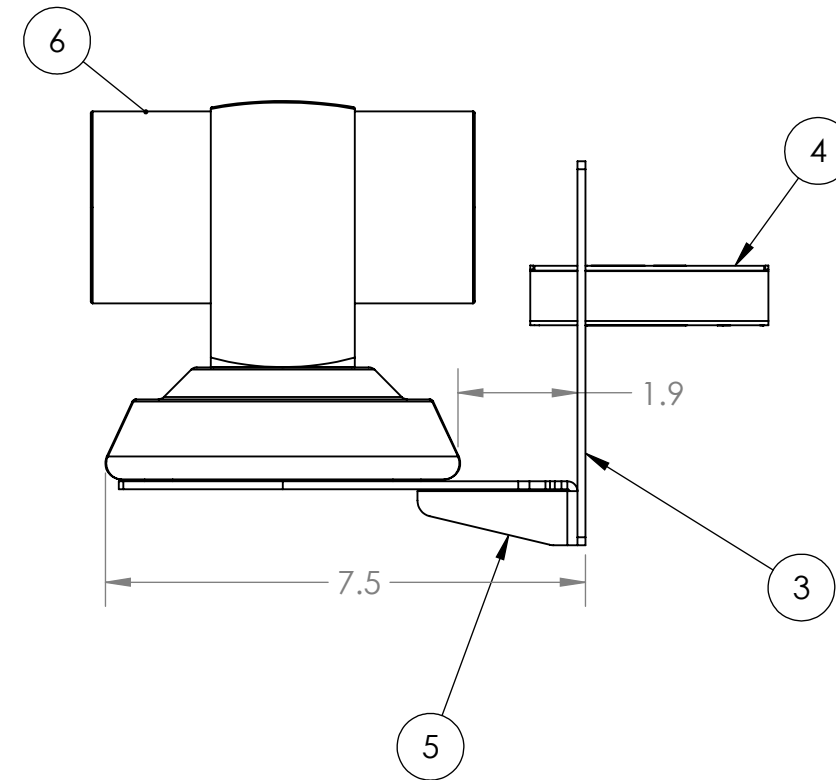
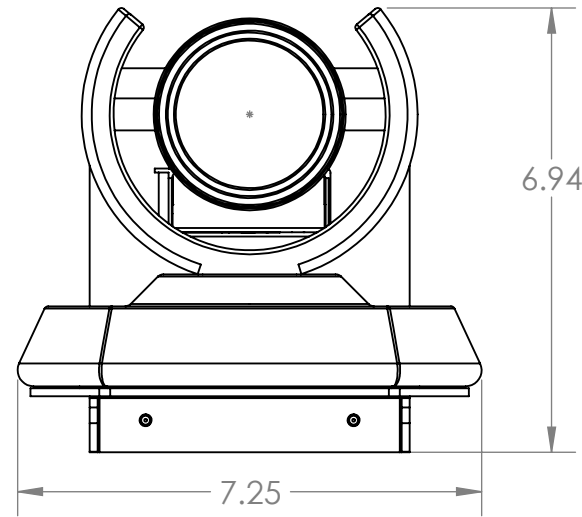
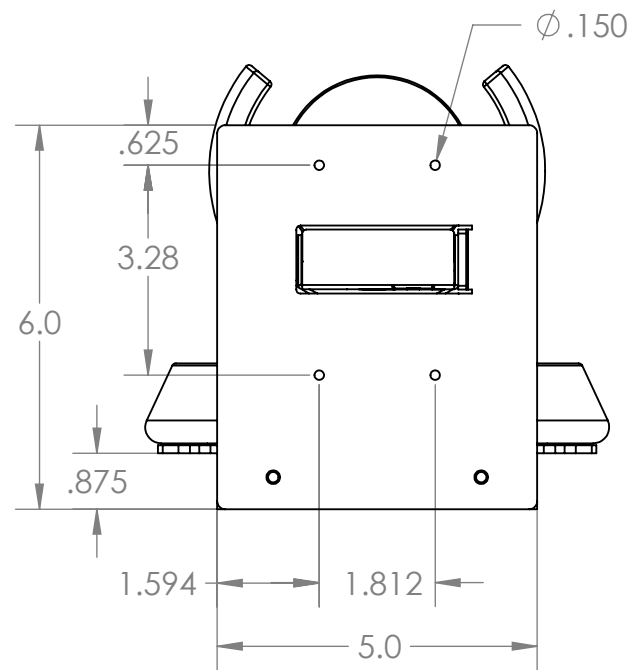
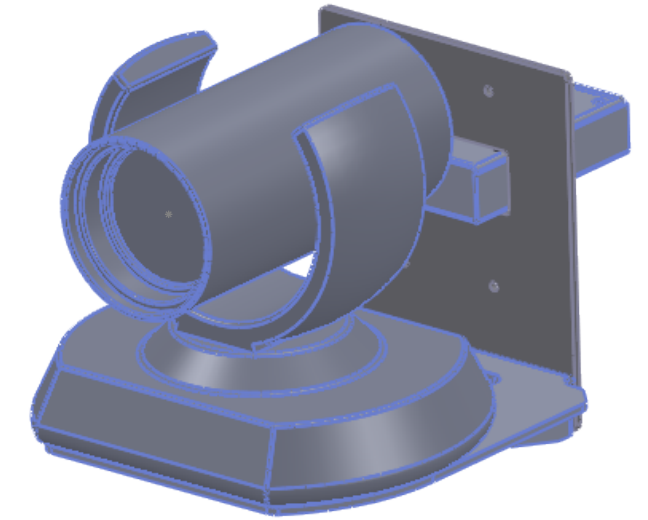
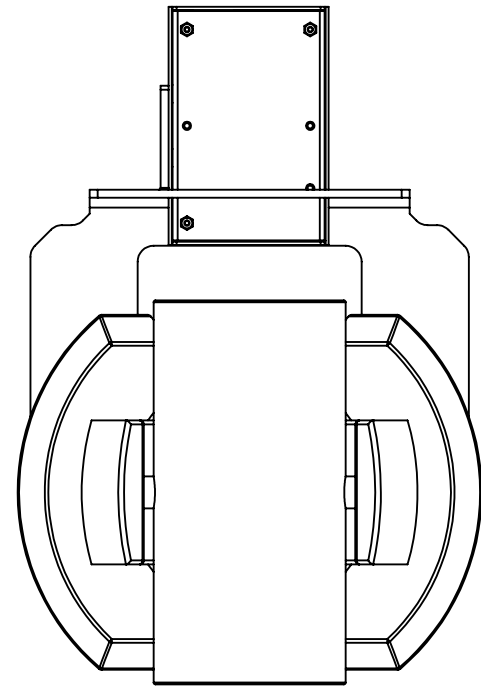


ITEM NO.	PART NUMBER	QTY.
3	ENC-1068-WMT	1
4	BCAS	1
5	ENC-1068-LS02-0	1
6	10x	1



**PROPRIETARY AND CONFIDENTIAL**  
 THE INFORMATION CONTAINED IN THIS DRAWING IS THE SOLE PROPERTY OF Sound Control Tech. ANY REPRODUCTION IN PART OR AS A WHOLE WITHOUT THE WRITTEN PERMISSION OF Sound Control Tech IS PROHIBITED.

UNLESS OTHERWISE SPECIFIED:			
DIMENSIONS ARE IN INCHES	DRAWN	NAME	DATE
TOLERANCES:	CHECKED	G.E.G.	04/11/16
FRACTIONAL ± 1/32"	ENG APPR.		
ANGULAR: MACH ±.5 BEND ±1	MFG APPR.		
TWO PLACE DECIMAL ±.02	Q.A.		
THREE PLACE DECIMAL ±.010	COMMENTS:		
INTERPRET GEOMETRIC TOLERANCING PER:			
MATERIAL			
FINISH			
DO NOT SCALE DRAWING			


**SCT Sound Control Technologies** 28 Knight Street  
 Norwalk, CT 06851  
 (203) 854-5701  
[www.soundcontrol.net](http://www.soundcontrol.net)

TITLE:

SIZE **B** DWG. NO. **10x wall plate** REV

SCALE: 1:3 WEIGHT: SHEET 1 OF 1