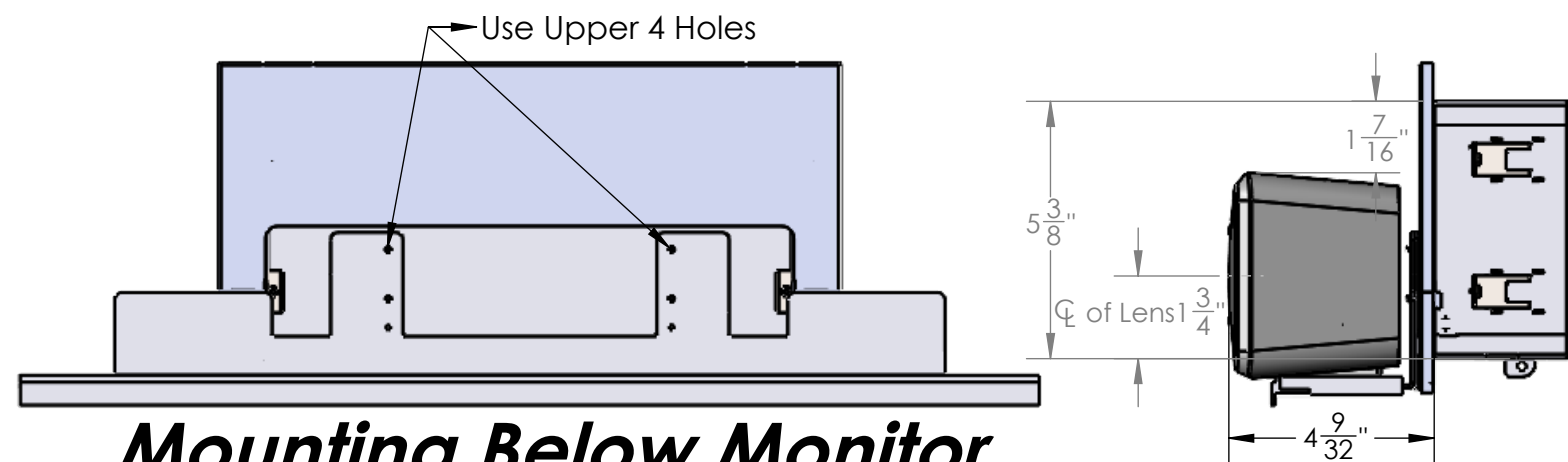
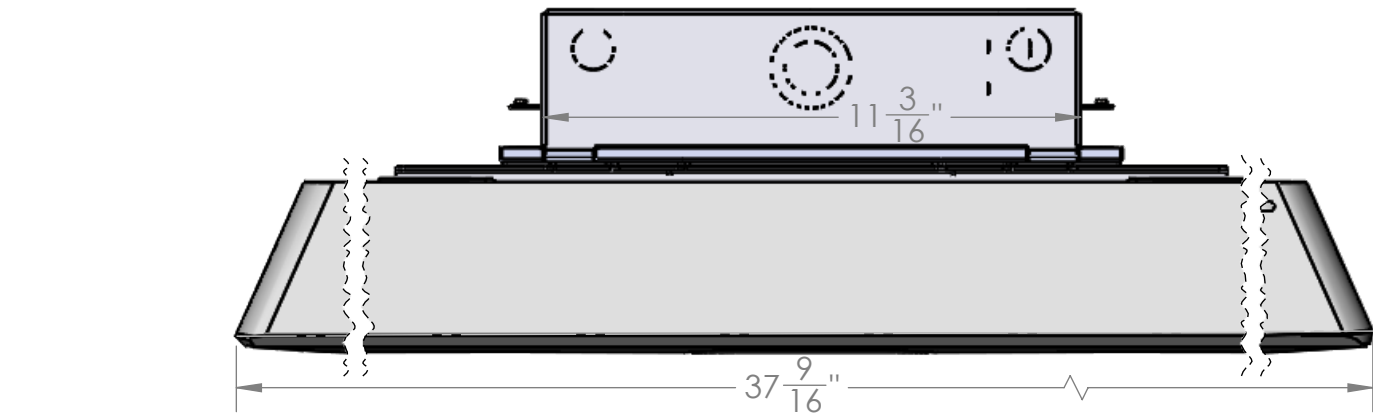
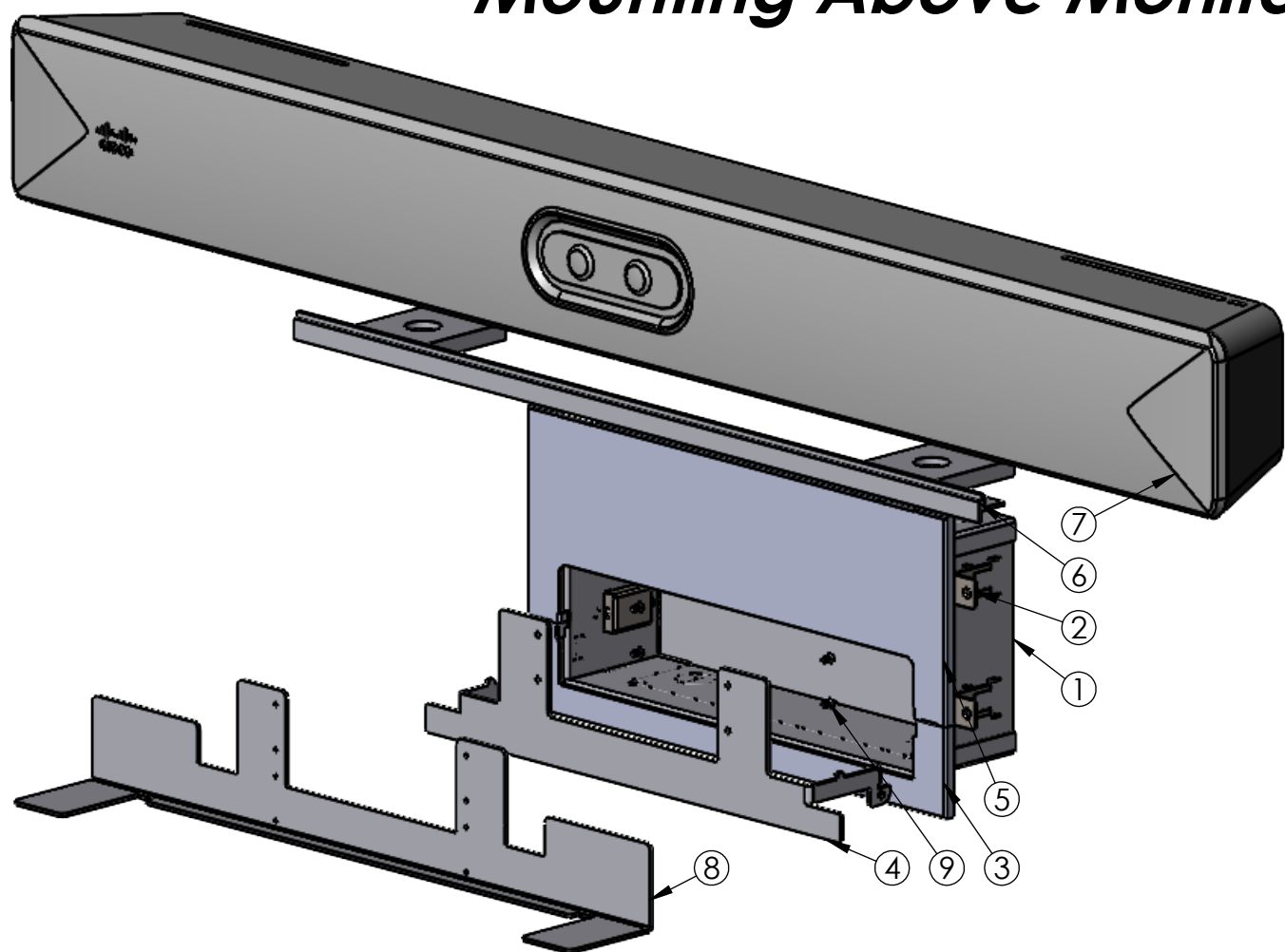


Mounting Above Monitor



Mounting Below Monitor



ITEM NO.	PART NUMBER	DESCRIPTION	QTY.	
1	804-1147	Cubby Backbox	1	
2	800-1107	Wall Clamps	4	
3	806-1147	Cubby FP01 Split Face Plate Bottom	1	
4	839-1147	RC-Cubby-BPC Shelf	1	
5	807-1147	Cubby FP05 Split Face Plate Top	1	
Not Supplied	6	Camera Tab Receiver	Tab Mount Supplied w/Camera	1
Not Supplied	7	Room Bar Pro	Cisco Room Bar Pro	1
	8	804-1106	Cisco Room Bar Pro Camera Mounting Shelf	1
	9	860-0056	M3x6 Steel Phillips Flat Head Screw	4

SCT Sound Control Technologies
 22 South Smith Street
 Norwalk, CT 06855
 (203) 854-5701
www.soundcontrol.net

TITLE:
RC-CUBBY-CRBP

PROPRIETARY AND CONFIDENTIAL
 THE INFORMATION CONTAINED IN THIS DRAWING IS THE SOLE PROPERTY OF Sound Control Tech. ANY REPRODUCTION IN PART OR AS A WHOLE WITHOUT THE WRITTEN PERMISSION OF Sound Control Tech. IS PROHIBITED.

SIZE **B** DWG. NO. FIN-CUBY-CRBP-0 REV **A**
 800-1106-02
 NAME G.E.G. DATE 1/26/2024 SHEET 1 OF 1