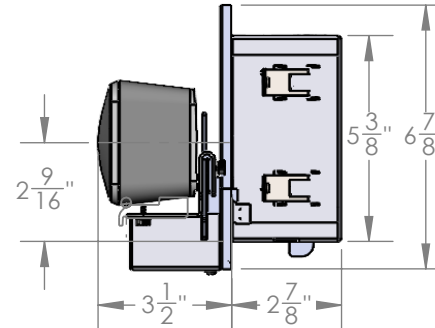
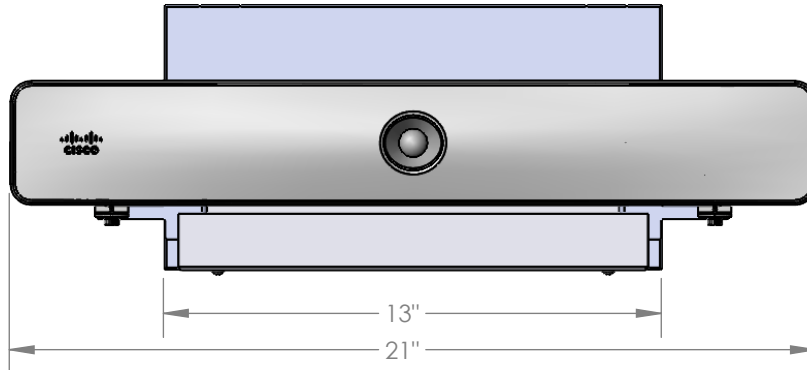
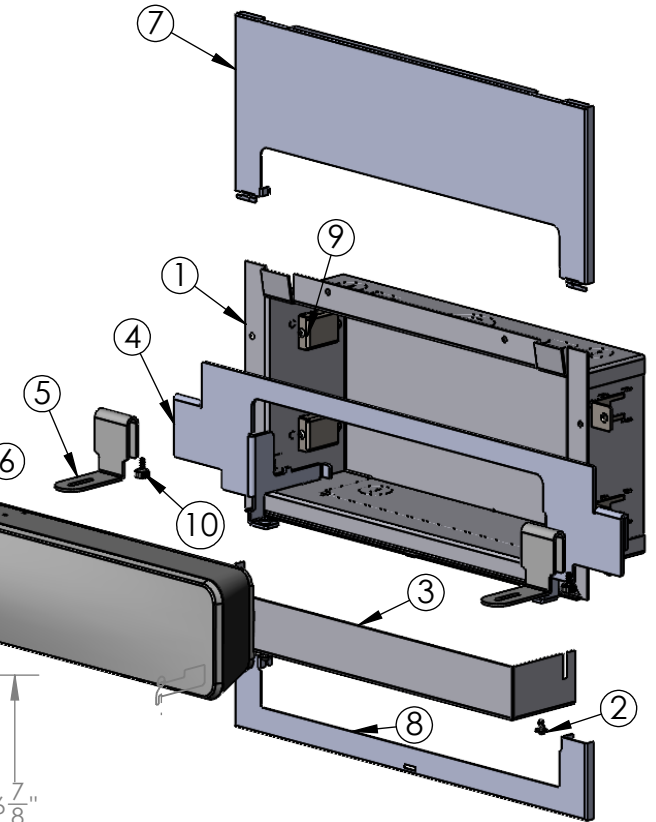


ITEM NO.	PART NUMBER	DESCRIPTION	QTY.
1	804-1147	Cubby Backbox	1
2	860-0036	Machine Screw, 8-32x1/4", Pan Head, Phillips, White	2
3	802-1106	Cubby Bezel Cisco Sparks	1
4	801-1106	Cisco Camera Brkt. Cubby	1
5	803-1106	Cubby Cisco Room Bar Mounting Brkt.	2
6	Cisco Room Bar_	Cisco Camera NOT SUPPLIED	1
7	807-1147	Cubby FP05 Split Face Plate Top	1
8	806-1147	Cubby FP01 Split Face Plate Bottom	1
9	800-1107	Wall Clamps	4
10	860-0045	M3x8mm Plastic-Head Thumb Screws	4



UNLESS OTHERWISE SPECIFIED:

DIMENSIONS ARE IN INCHES
TOLERANCES:
FRACTIONAL $\pm 1/32"$
ANGULAR: MACH $\pm .25^\circ$ BEND $\pm .5^\circ$
TWO PLACE DECIMAL $\pm .02$
THREE PLACE DECIMAL $\pm .010$
HOLE SIZE $+ .003 / -.000$

INTERPRET GEOMETRIC
TOLERANCING PER:

MATERIAL

FINISH

DO NOT SCALE DRAWING

NAME DATE

G.E.G. 10/27/2023

DRAWN

CHECKED

ENG APPR.

MFG APPR.

Q.A.

COMMENTS:



Sound Control
Technologies

22 South Smith Street
Norwalk, CT 06855
(203) 854-5701

www.soundcontrol.net

TITLE:

RC-CUBBY-CRB

SIZE DWG. NO. FIN-CUBY-CRB0-0 REV

A 800-1106-01 **A**

SCALE: 1:5 WEIGHT:

SHEET 1 OF 1

PROPRIETARY AND CONFIDENTIAL

THE INFORMATION CONTAINED IN THIS
DRAWING IS THE SOLE PROPERTY OF
Sound Control Tech. ANY REPRODUCTION
IN PART OR AS A WHOLE
WITHOUT THE WRITTEN PERMISSION OF
Sound Control Tech. IS PROHIBITED.