



RWM-CRN1™ Wall Mount for Cisco Room Navigator

INCLUDED PART LIST

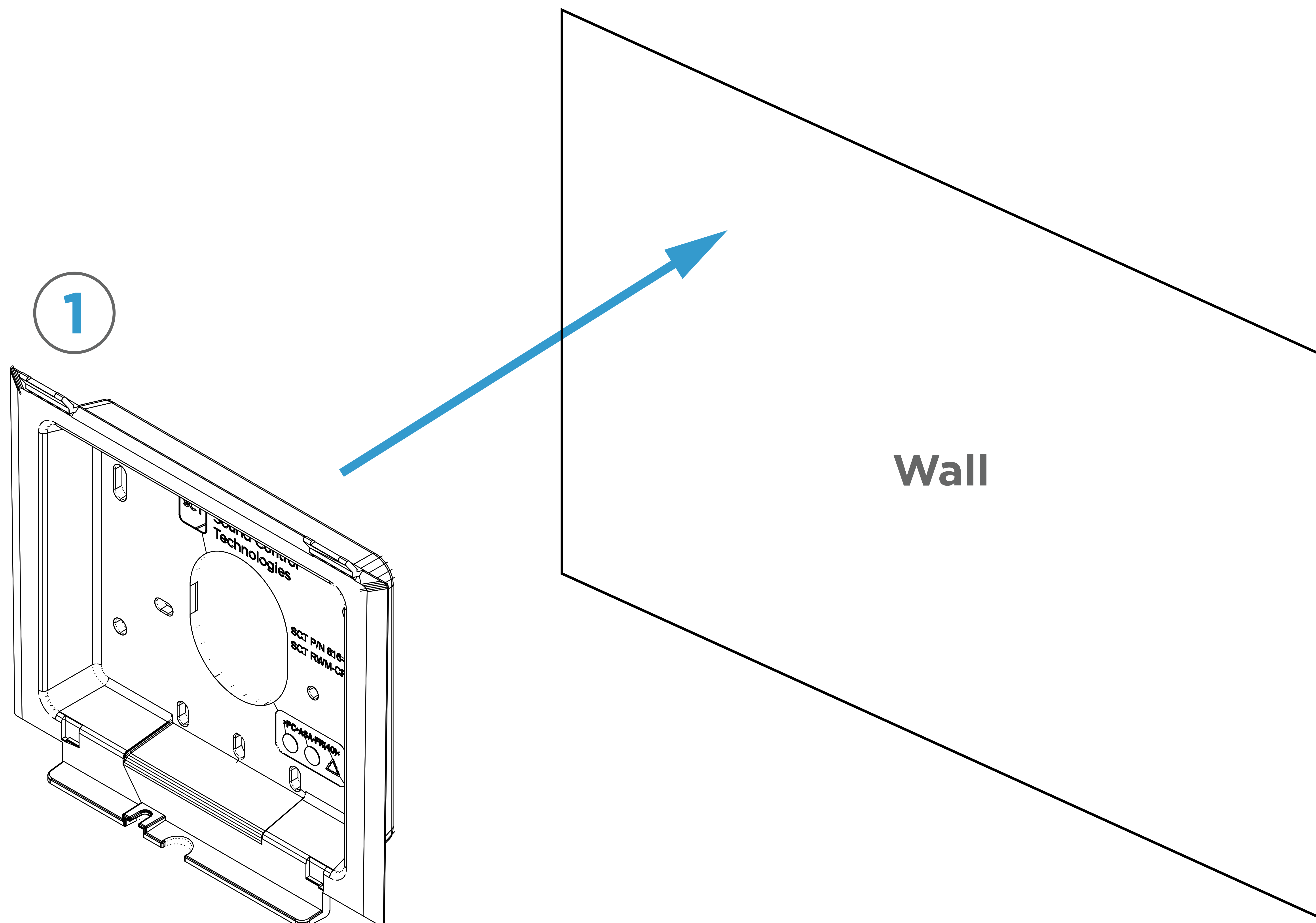
No. 1 Navigator Back Plate, 816-1147 (Qty 1)

PARTS NOT INCLUDED

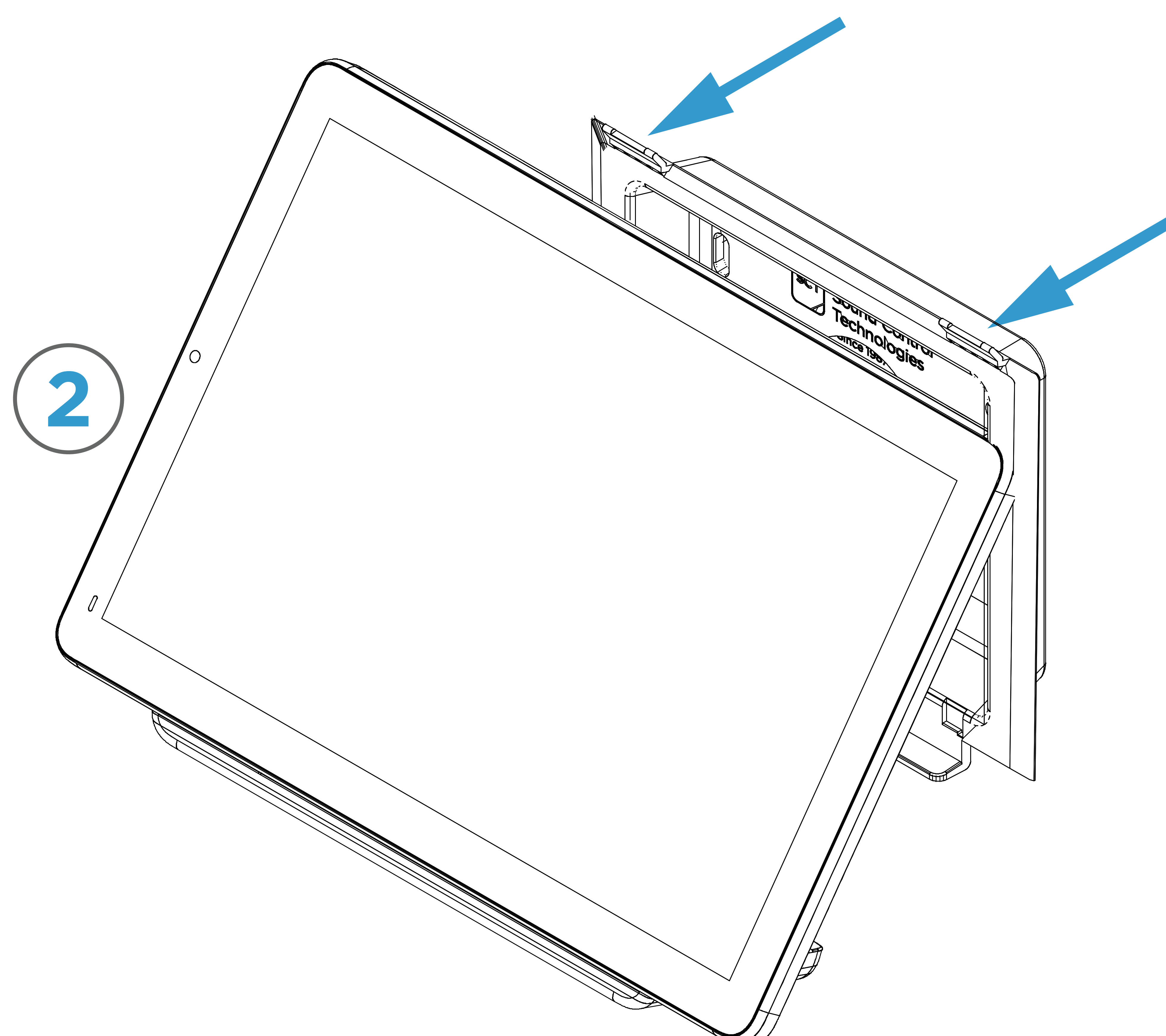
No. 2 Cisco Room Navigator (wall mount version)

ASSEMBLY INSTRUCTIONS

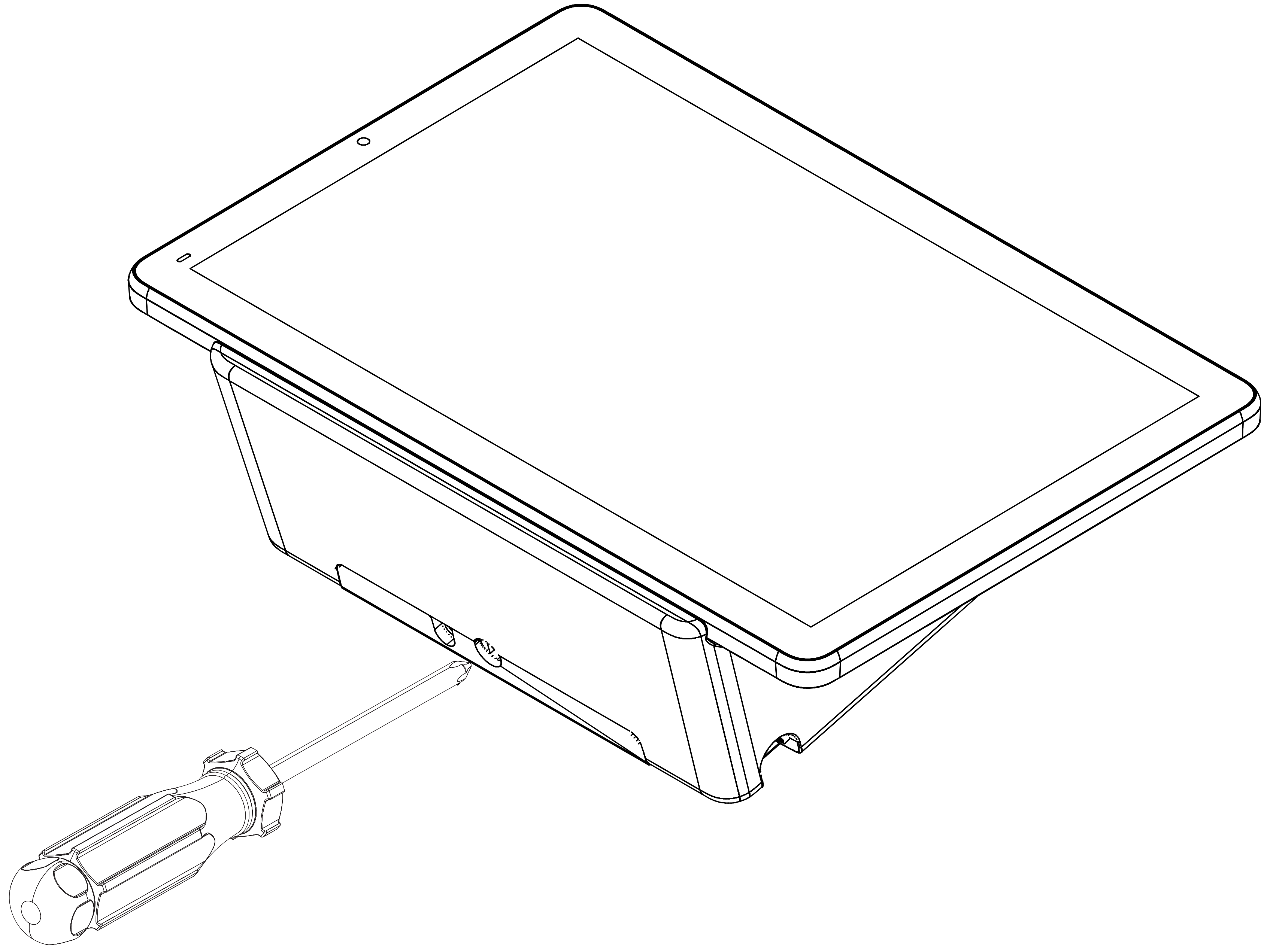
STEP 1: Attach Navigator Back Plate (No. 1, Qty 1) to wall using screws appropriate for wall construction. Pull cable through plate.



STEP 2: Plug pre-installed cable into Cisco Room Navigator (No. 1, Qty 1). Now align tabs of Back Plate with slots in the back of the Navigator and allow it to hang flush against Back Plate.



STEP 3: Tighten screw already installed in Cisco Room Navigator to secure to Wall Bracket.



Finished Installation:

