



### RCP-CQC™ Pole Mounting Solution for Cisco Quad Camera

#### INCLUDED PART LIST

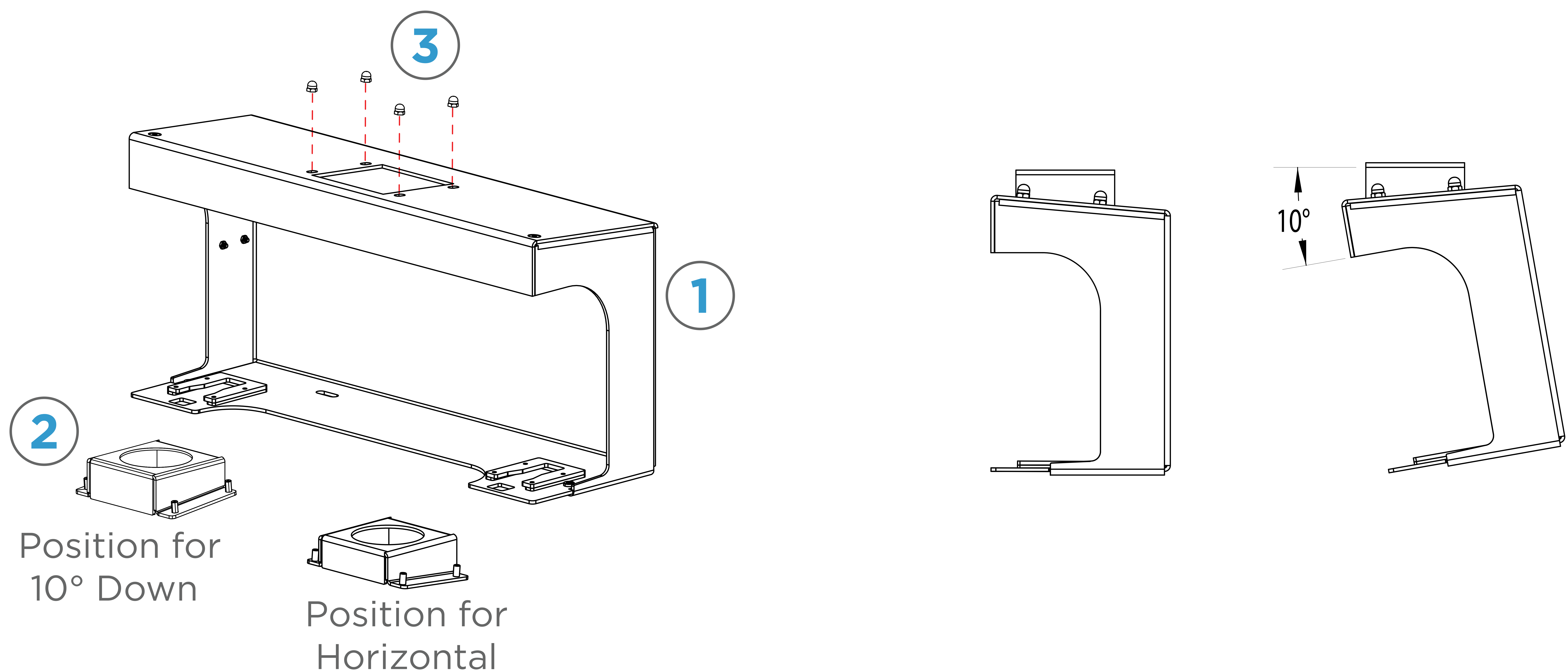
- No. 1** Camera Plate Assembly, 813-1152 (Qty 1)
- No. 2** RCP Bracket, 812-1152 (Qty 1)
- No. 3** 8-32 Cap Nut, 850-0008 (Qty 4)
- No. 4** 1.5" Half Coupling, 845-0012 (Qty 1)
- No. 5** 1.5" Steel Locknut, 845-0013 (Qty 1)
- No. 6** 8-32 Locking Nut, 850-0005 (Qty 1)
- No. 7** 4-40x1/4" Flat Head Phillips Screw, 860-0038 (Qty 2)

#### PARTS NOT INCLUDED

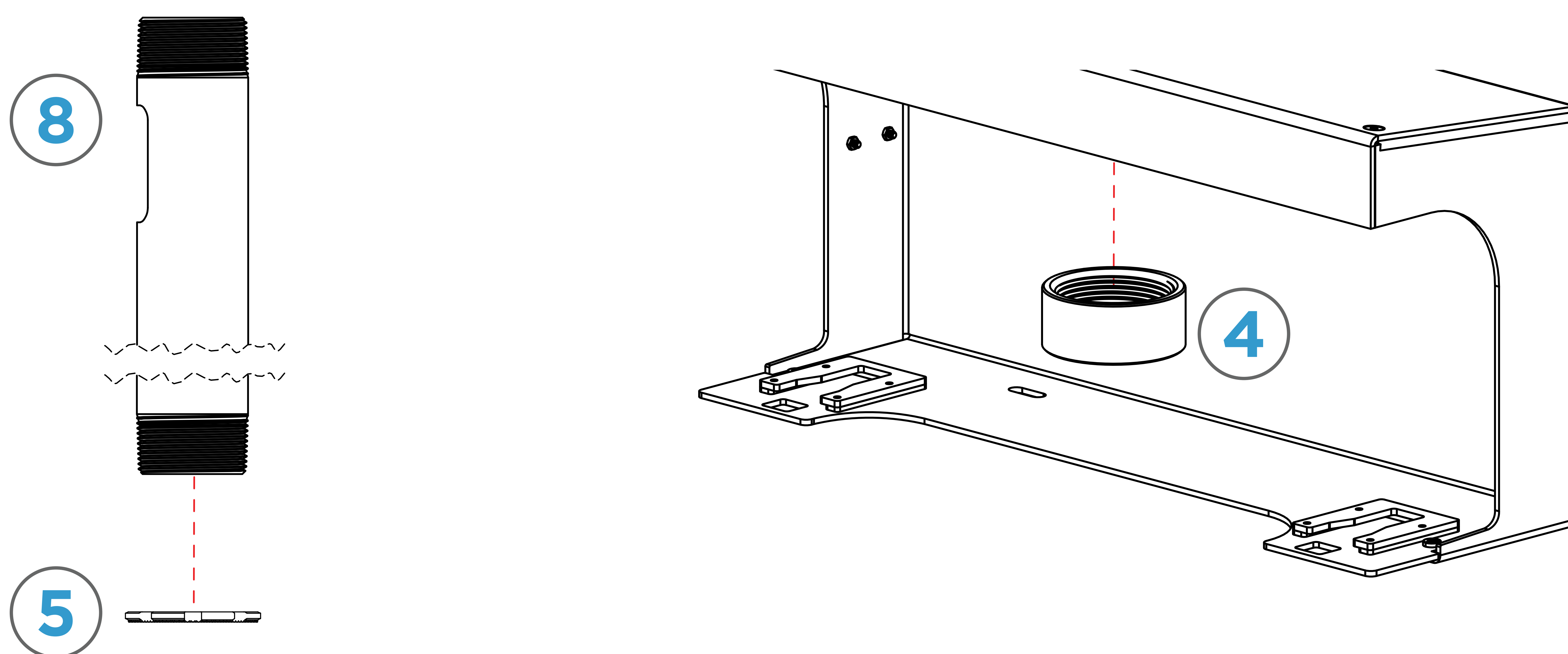
- No. 8** 1.5" NPT Pole (Qty 1)
- No. 9** Cisco Quad Camera (Qty 1)
- No. 10** SCT RC8-CE Module (Qty 1)

#### ASSEMBLY INSTRUCTIONS

**STEP 1:** Determine if the installation requires a horizontal or 10° downward camera angle. Then, position the RCP Bracket (No. 2, Qty 1) forward or backwards in the Camera Plate Assembly (No. 1, Qty 1) based on the diagram below. Use 8-32 Cap Nuts (No. 3, Qty 4) to secure bracket.

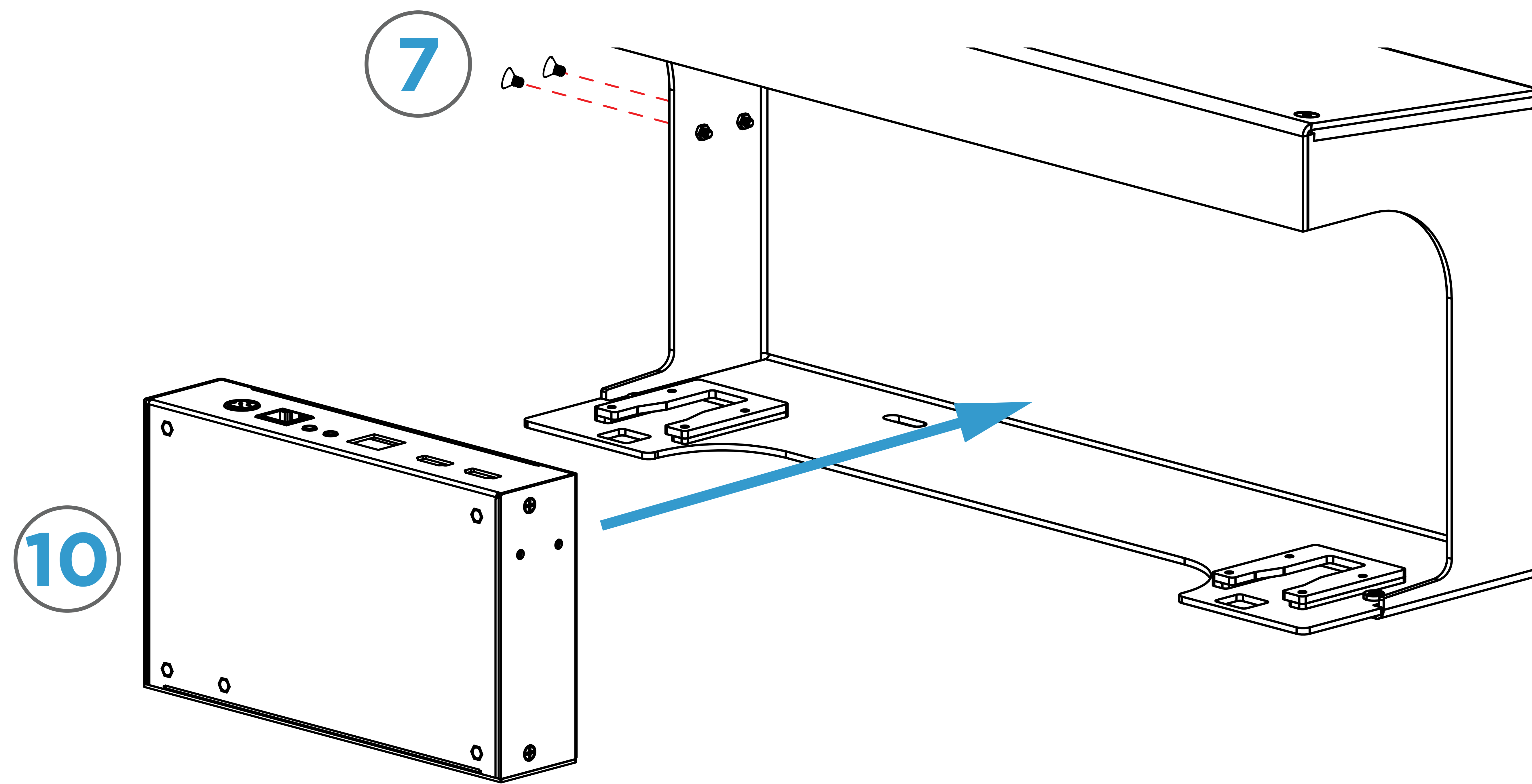


**STEP 2:** Attach 1.5" NPT Pole (No. 8, Qty 1) to ceiling using appropriate methods and safety codes. Then screw 1.5" Steel Locknut (No. 5, Qty 1) onto bottom of pole. Now slide Camera Plate Assembly onto Pole and secure with 1.5" Half Coupling (No. 4, Qty 1).



**STEP 3 (Optional):** Attach installer-provided safety cable to threaded post on Camera Assembly and secure with 8-32 Locking Nut (No. 6, Qty 1). Safety cable can be run through pole and attached in the ceiling.

**STEP 4:** Remove 4-40x1/4" Flat Head Phillips Screws (No. 7, Qty 2) and nuts from side of Camera Plate Assembly and save screws. Discard nuts. Then, attach SCT RC8-CE (No. 10, Qty 1) to side of Camera Plate Assembly using saved screws.



**STEP 5:** Tilt Cisco Quad Camera hinges down (No. 9, Qty 1) and clip tabs into Camera Plate Assembly. Connect cables, then tilt camera up into place.

