



RC-CUBBY-VB1™ Cubby Wall Mount for Bose VB1 Video Bar

INCLUDED PART LIST

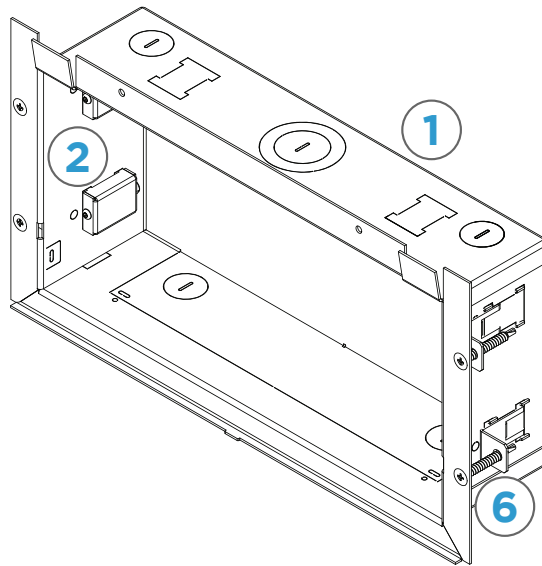
- No. 1** Cubby Backbox, 804-1147 (Qty 1)
- No. 2** Wall Clamps, 800-1107 (Qty 4)
- No. 3** Camera Plate, 838-1147 (Qty 1)
- No. 4** Adapter Plate, 837-1147 (Qty 1)
- No. 5** Cubby Face Plate, 812-1147 (Qty 1)
- No. 6** #10-16 x 1 1/2" Flat Head Phillips Screw, 860-0011 (Qty 4)
- No. 7** 6-32 x 1/4", Slotted Screw, White, 860-0058 (Qty 2)
- No. 8** 8-32 x 5/16", Flat Head Phillips Screw, 860-0054 (Qty 2)

PARTS NOT INCLUDED

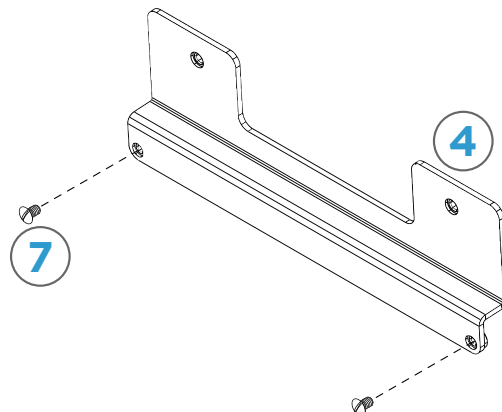
- No. 9** Bose VB1 Video Bar (Qty 1)

ASSEMBLY INSTRUCTIONS

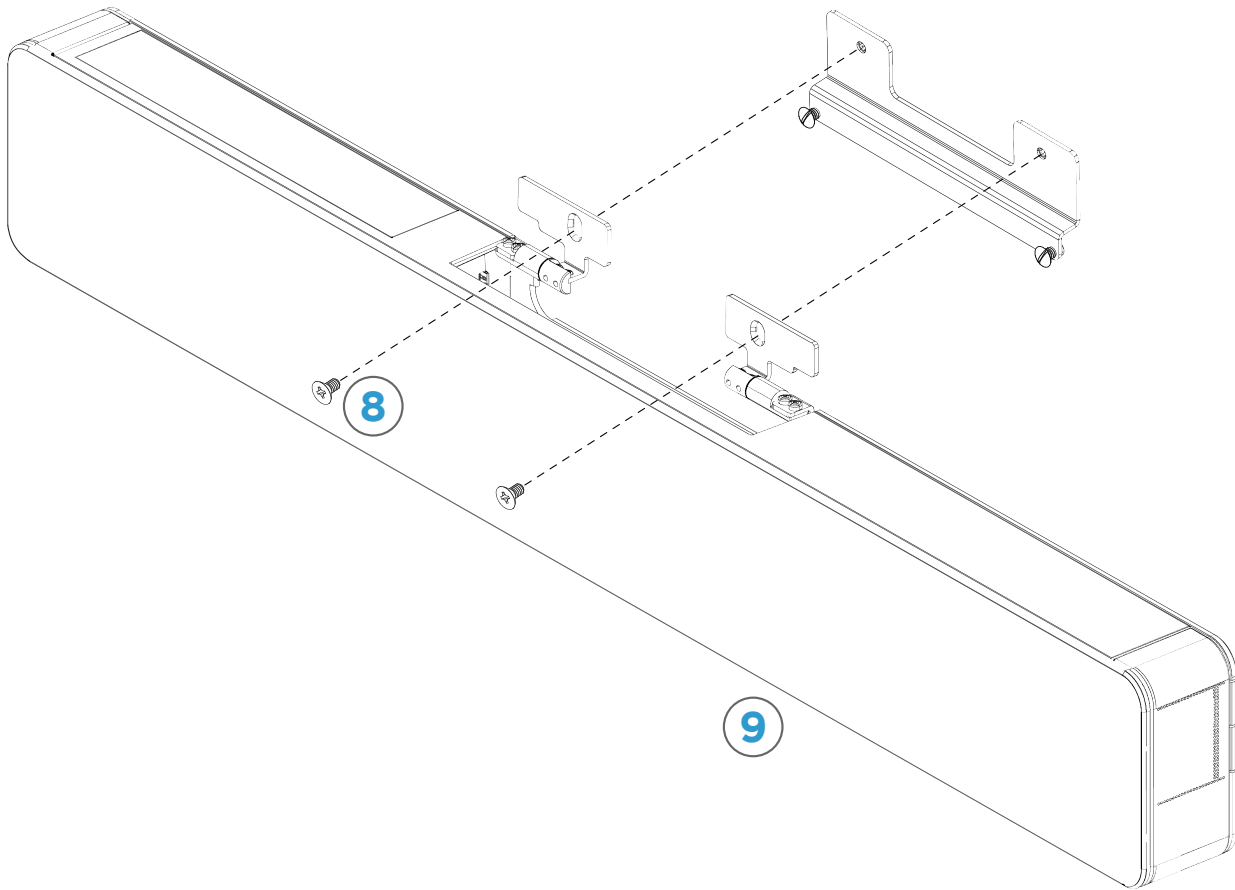
STEP 1: Install Cubby Backbox (No. 1, Qty 1) into wall opening with Wall Clamps (No. 2, Qty 4). Secure with #10-16 x 1 1/2" Flat Head Phillips Screws (No. 6, Qty 4). For detailed instructions refer to the RC-CUBBY Installation Guide on www.soundcontrol.net.



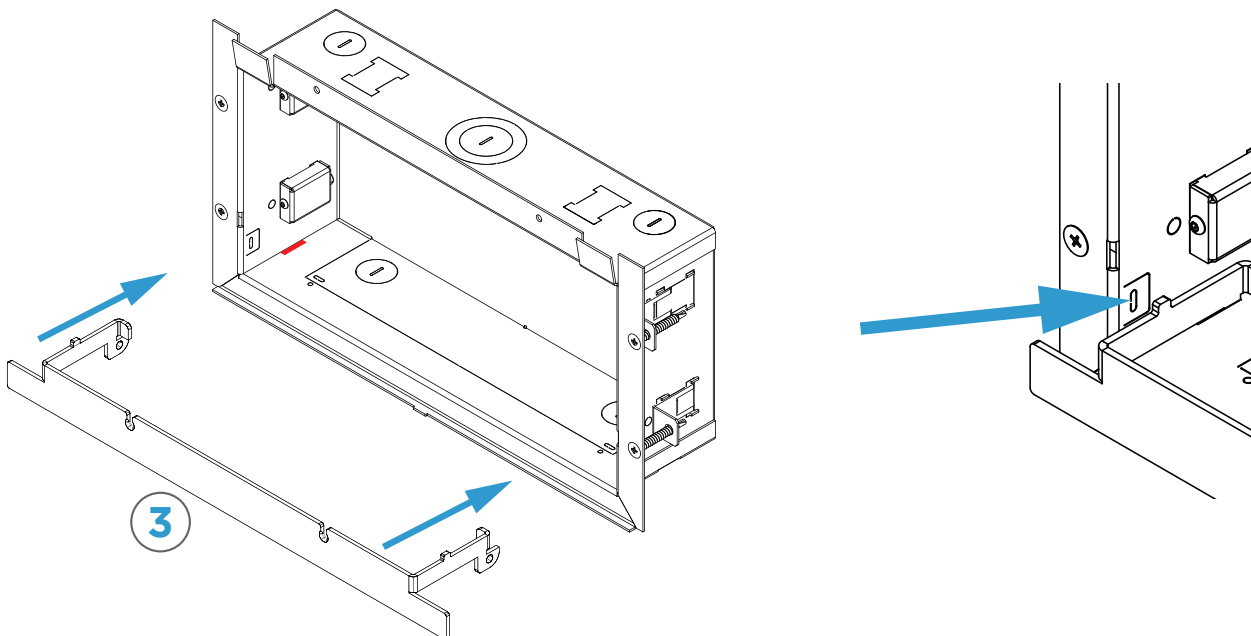
STEP 2: Partially install 6-32 x 1/4" White Slotted Screws (No. 7, Qty 2) to Adapter Plate (No. 4, Qty 1).



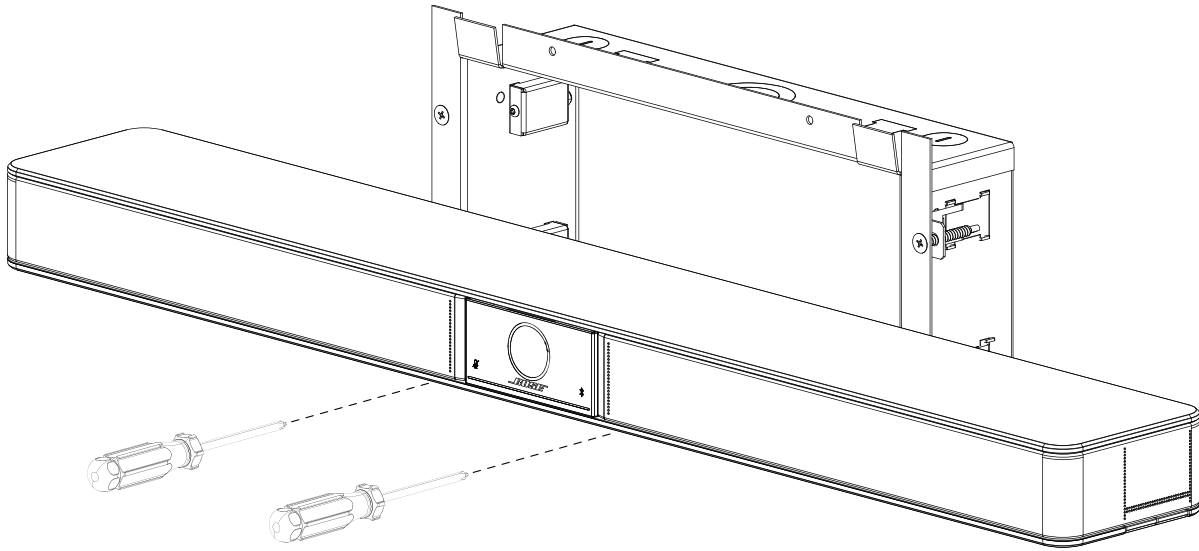
STEP 3: Tilt Bore VB1 (No. 9, Qty 1) down and attached to Adapter Plate using 8-32 x 5/16" Flat Head Phillips Screws (No. 8, Qty 2).



STEP 4: Slide Camera Plate (No. 3, Qty 1) down into Cubby slots (shown in red) and push forward to engage. Then pry tabs inward to lock Camera Plate in place.



STEP 4: Set VB1/adaptor plate assembly into camera plate slots and tighten securely from underneath.



STEP 5: Slide Cubby Face (No. 5, Qty 1) Plate down onto tabs in Cubby Backbox.

