



## RC-CUBBY-CRB™ Cubby Wall Mount for Cisco Room Bar

### INCLUDED PART LIST

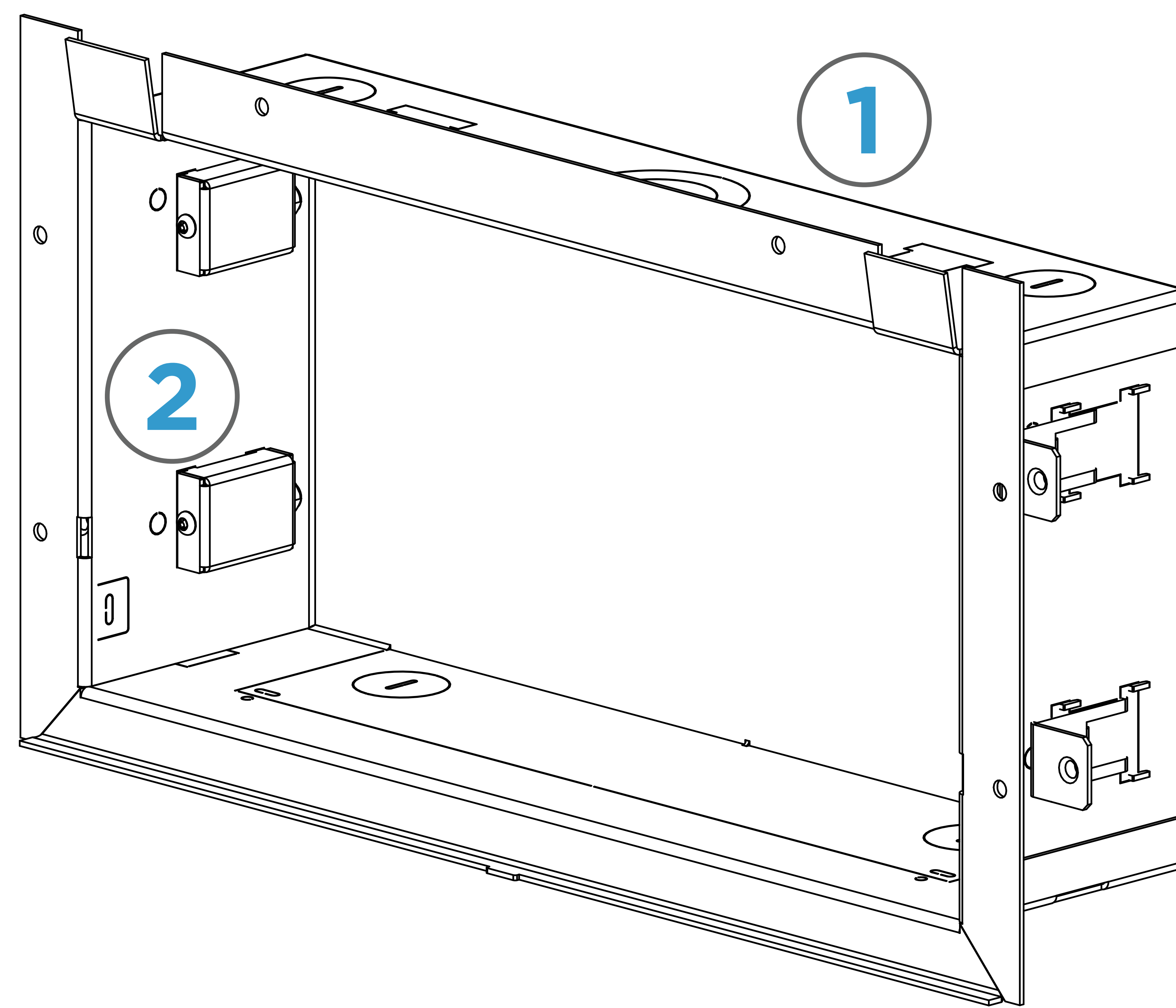
- No. 1** Cubby Backbox, 804-1147 (Qty 1)
- No. 2** Wall Clamps, 800-1107 (Qty 4)
- No. 3** Camera Plate, 801-1106 (Qty 1)
- No. 4** Mounting Bracket, 803-1106 (Qty 2)
- No. 5** Cubby Split Face Plate Bottom, 806-1147 (Qty 1)
- No. 6** Cubby Split Face Plate Top, 807-1147 (Qty 1)
- No. 7** Camera Bezel Cover, 802-1106 (Qty 1)
- No. 8** 8-32 x 1/4", Pan Head White Phillips Screw, 860-0036 (Qty 2)
- No. 9** M3 x 8 Plastic Head Thumb Screw, 860-0045 (Qty 4)

### PARTS NOT INCLUDED

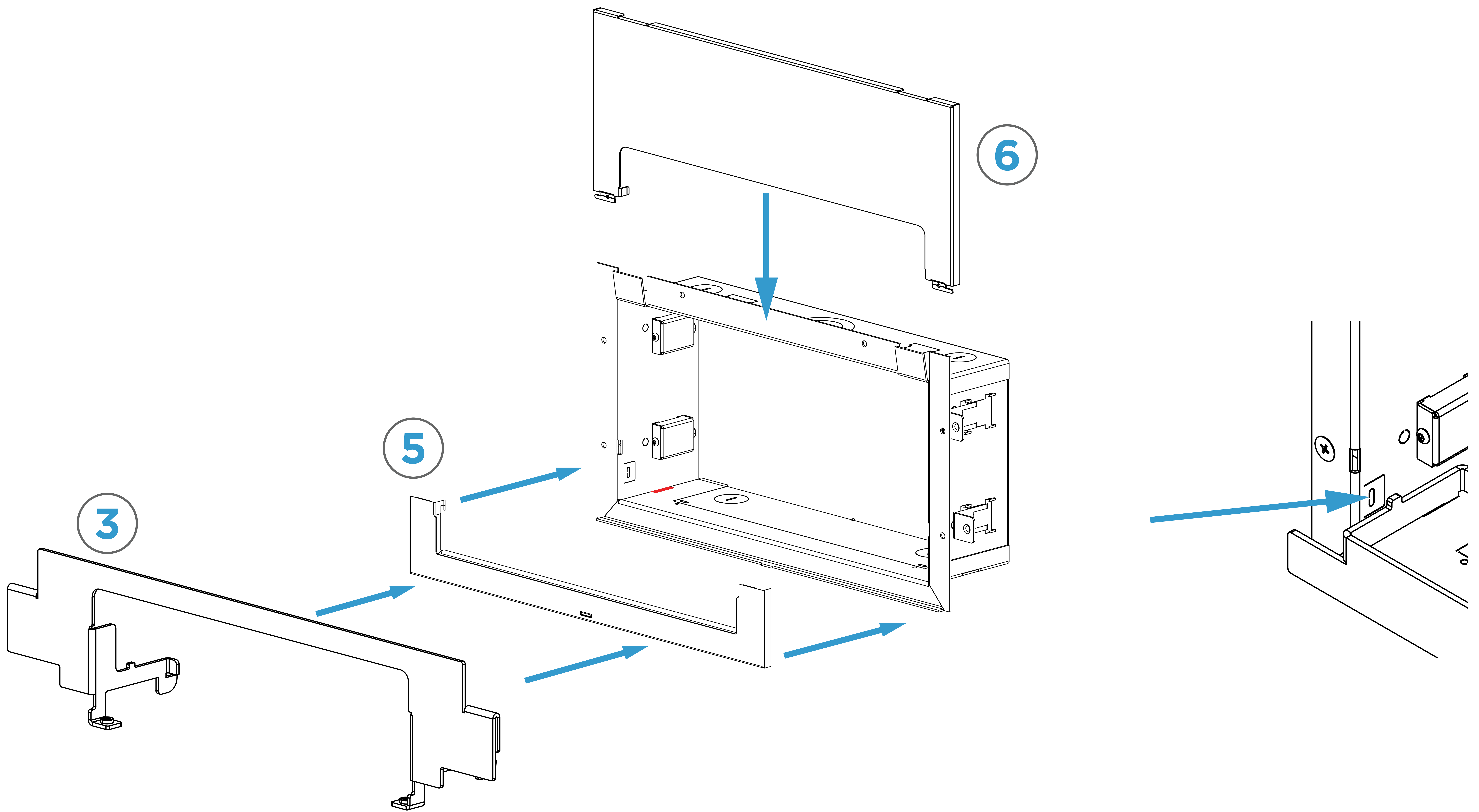
- No. 10** Cisco Room Bar (Qty 1)

## ASSEMBLY INSTRUCTIONS

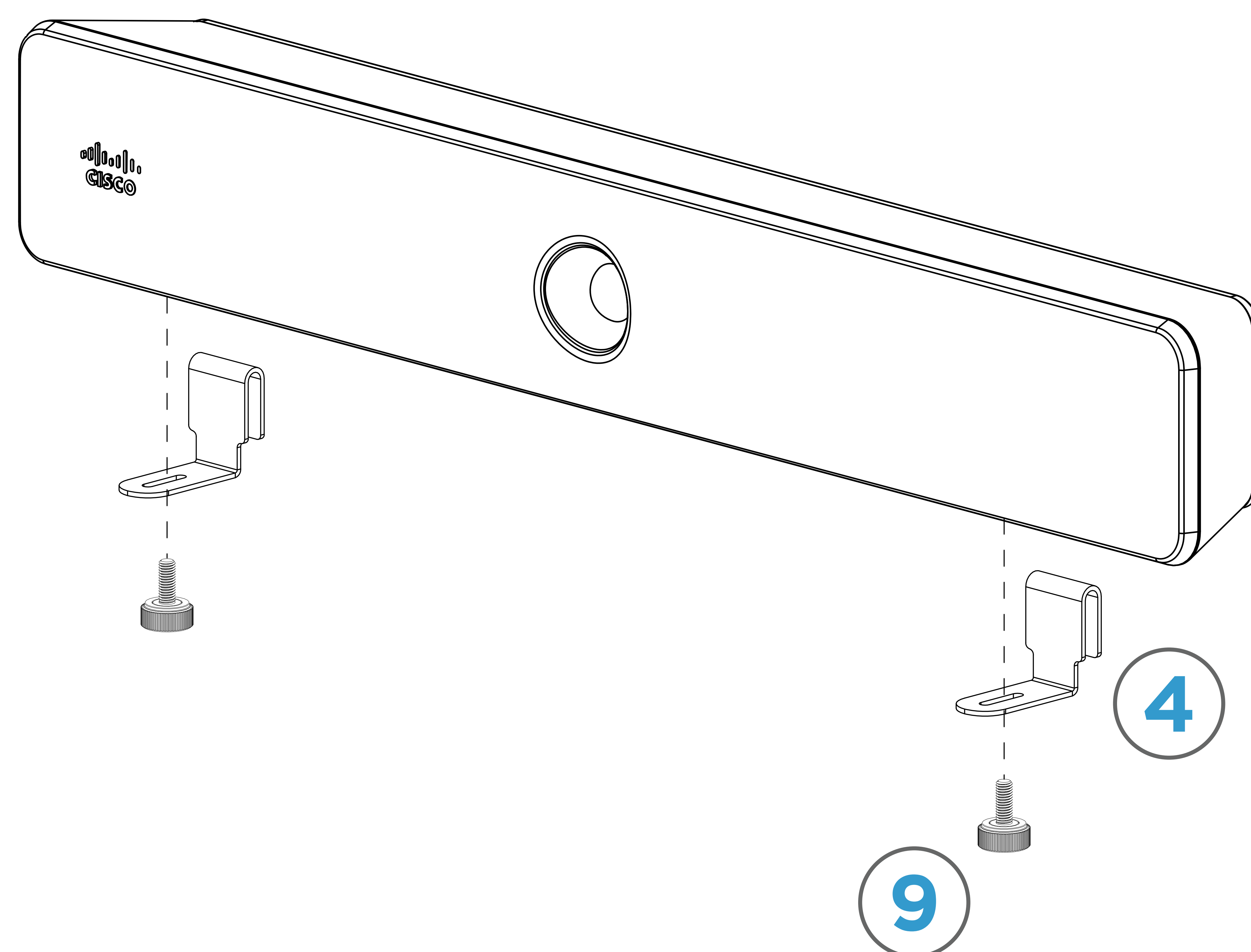
**STEP 1:** Install Cubby Backbox (**No. 1, Qty 1**) into wall opening with Wall Clamps (**No. 2, Qty 4**). For detailed instructions refer to the RC-CUBBY Installation Guide on [www.soundcontrol.net](http://www.soundcontrol.net).



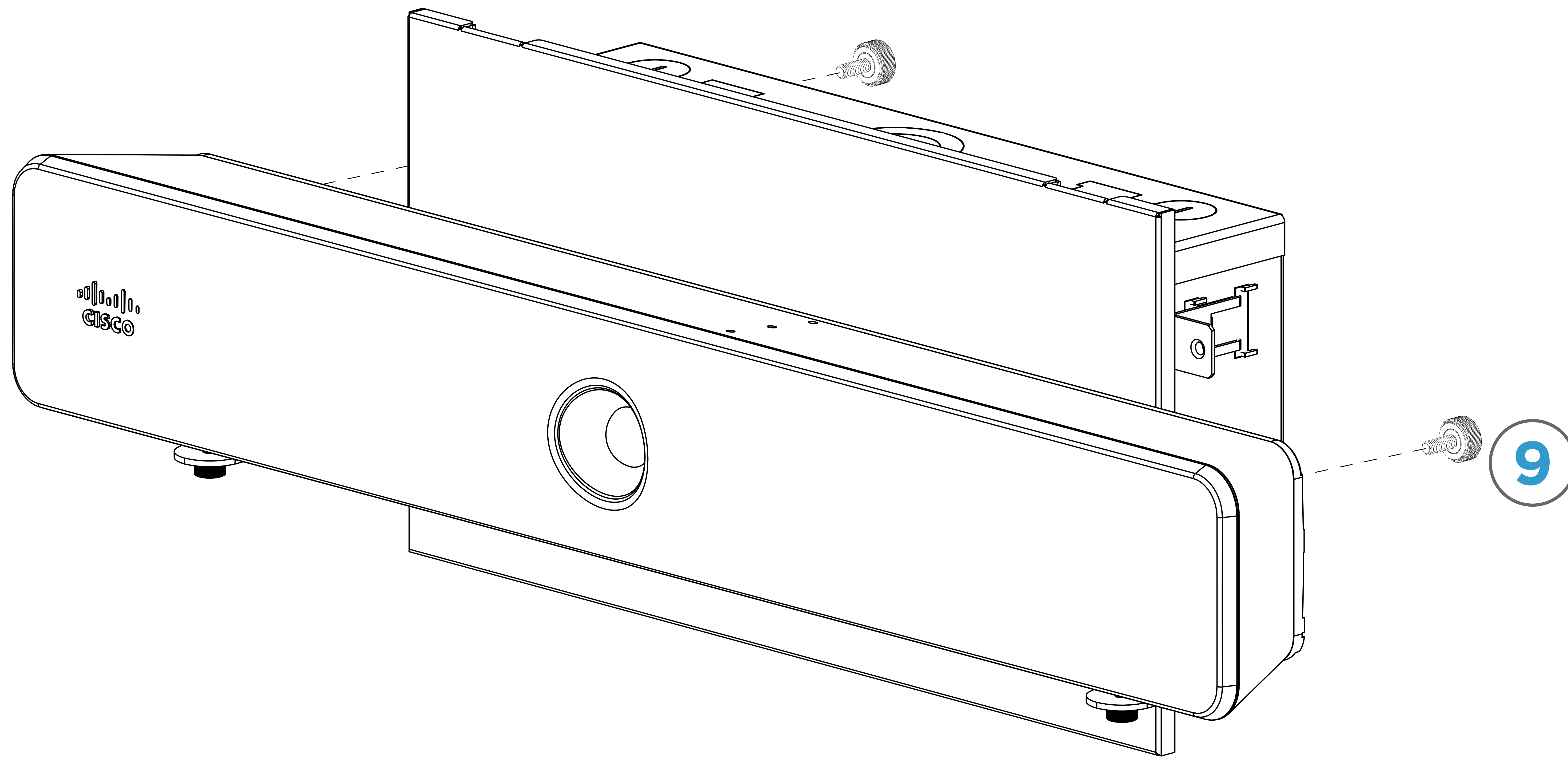
**STEP 2:** Hook Cubby Split Face Bottom (No. 5, Qty 1) down into slots of backbox. Now slide Camera Plate (No. 3, Qty 1) into Cubby slots (shown in red) and push forward to engage. Then pry tabs inward to lock Camera Plate in place, and then slide Cubby Face Plate Top (No. 6, Qty 1) onto tabs in Cubby backbox.



**STEP 3:** Attach Mounting Brackets (No. 4, Qty 2) to bottom of Cisco Room Bar (No. 10, Qty 1) using Plastic Head Thumb Screws (No. 9, Qty 2).



**STEP 4:** Place camera onto camera plate and secure from back with Plastic Head Thumb Screws (No. 9, Qty 2).



**STEP 5:** Install Camera Bezel Cover (No. 7, Qty 1) using Pan Head White Philips Screws (No. 8, Qty 2).

