



RC-CUBBY-CRBP™ Cubby Wall Mount for Cisco Room Bar Pro

INCLUDED PART LIST

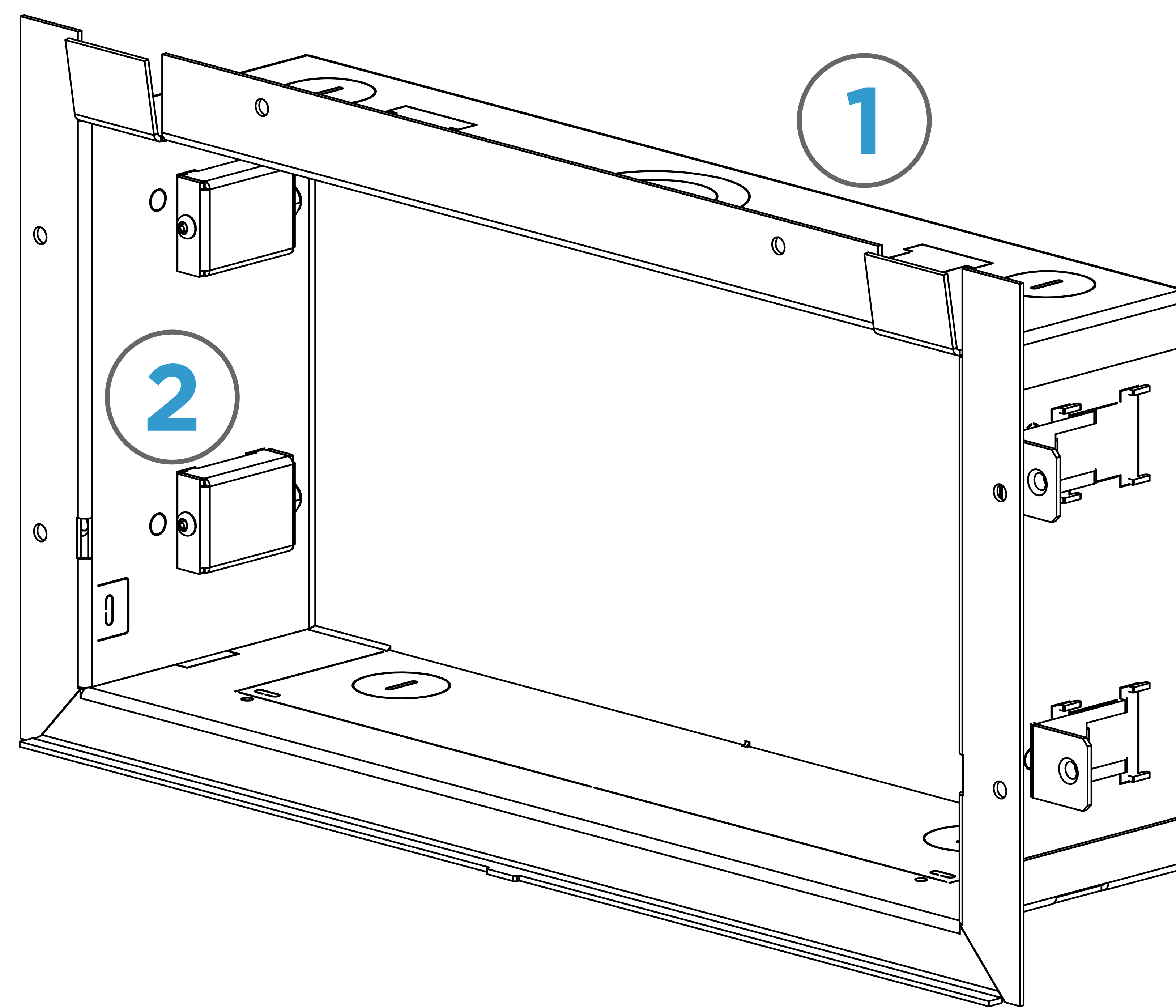
- No. 1** Cubby Backbox, 804-1147 (Qty 1)
- No. 2** Wall Clamps, 800-1107 (Qty 4)
- No. 3** Camera Plate, 839-1147 (Qty 1)
- No. 4** Adapter Plate, 804-1106 (Qty 1)
- No. 5** Cubby Split Face Plate Bottom, 806-1147 (Qty 1)
- No. 6** Cubby Split Face Plate Top, 807-1147 (Qty 1)
- No. 7** M3x6, Flat Head Phillips Screw, 860-0056 (Qty 4)

PARTS NOT INCLUDED

- No. 9** Cisco Room Bar Pro (Qty 1)
- No. 10** Cisco Mounting Bracket (Qty 1)

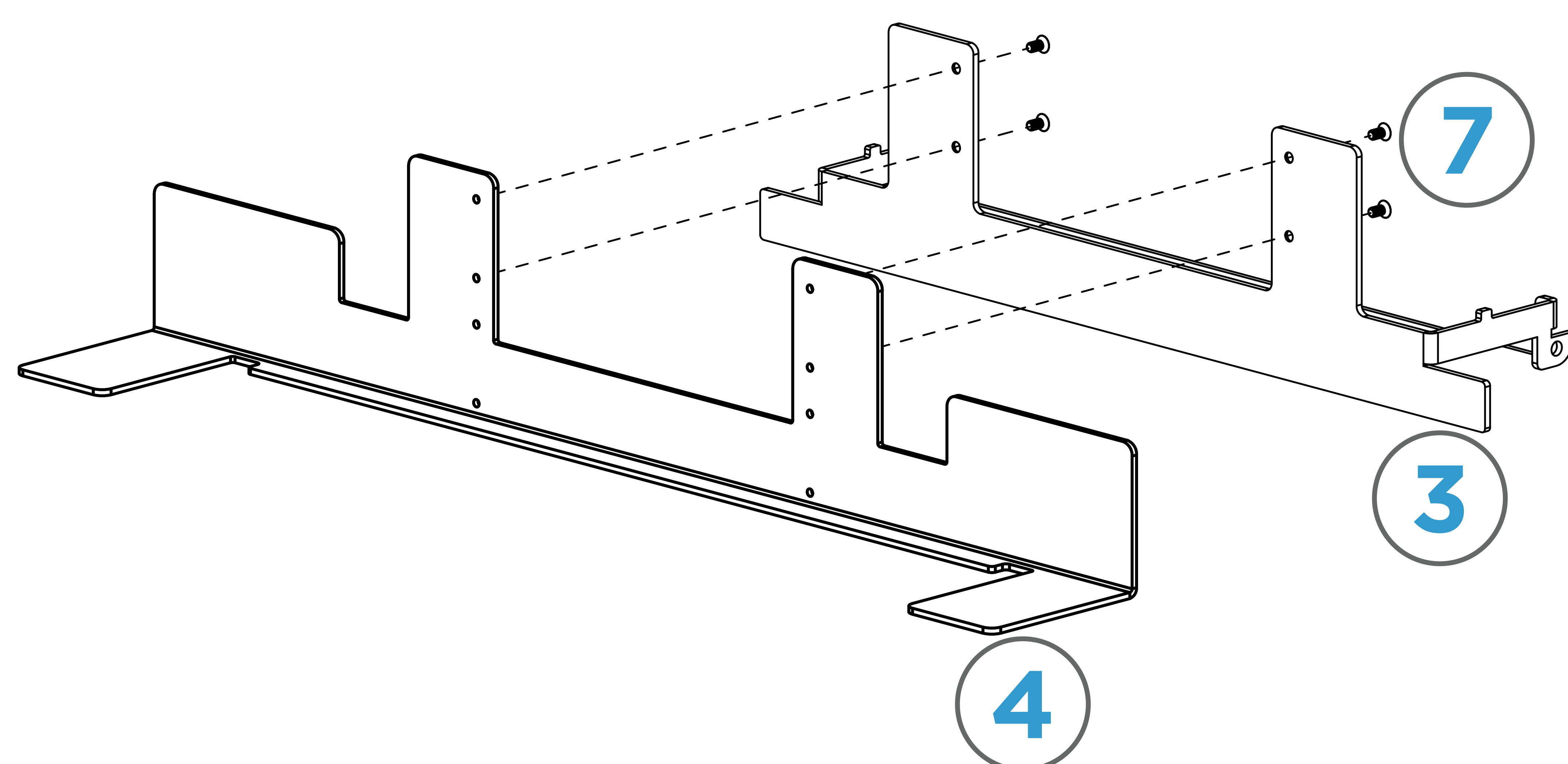
ASSEMBLY INSTRUCTIONS

STEP 1: Install Cubby Backbox (No. 1, Qty 1) into wall opening with Wall Clamps (No. 2, Qty 4). For detailed instructions refer to the RC-CUBBY Installation Guide on www.soundcontrol.net.

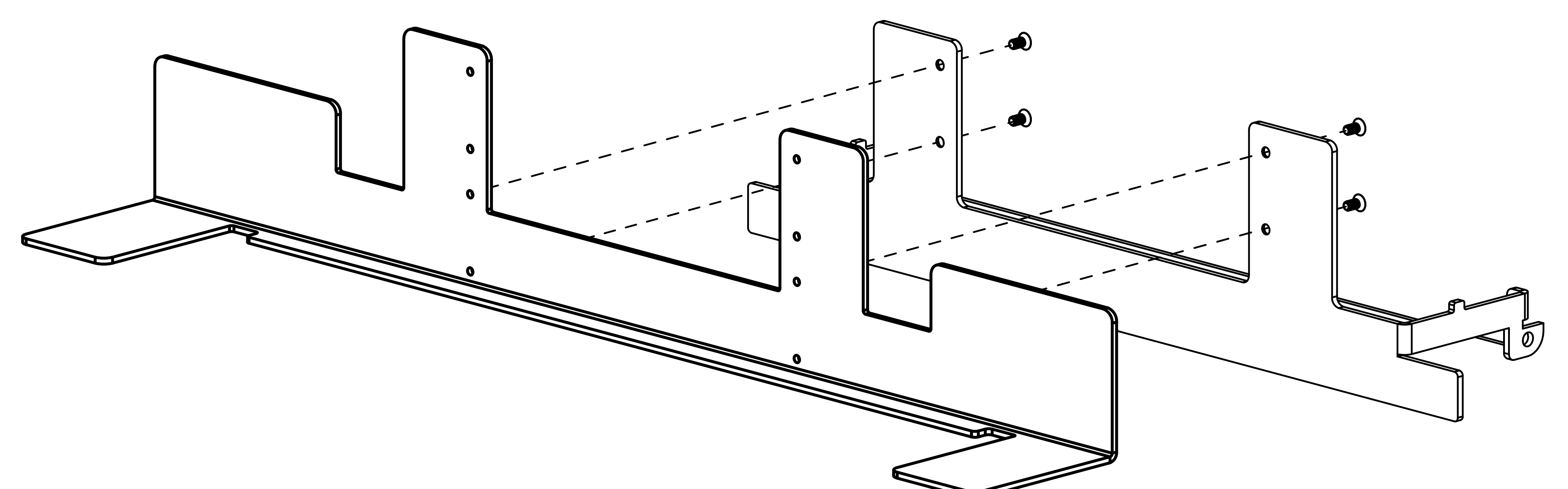


STEP 2: Attach Camera Plate (No. 3, Qty 1) to Adapter Plate (No. 4, Qty 1) using M3x6 Flat Head screws (No. 7, Qty 4). Note: If mounting above monitor use lower 4 holes in Adapter Plate. If mounting below monitor use upper 4 holes in Adapter Plate.

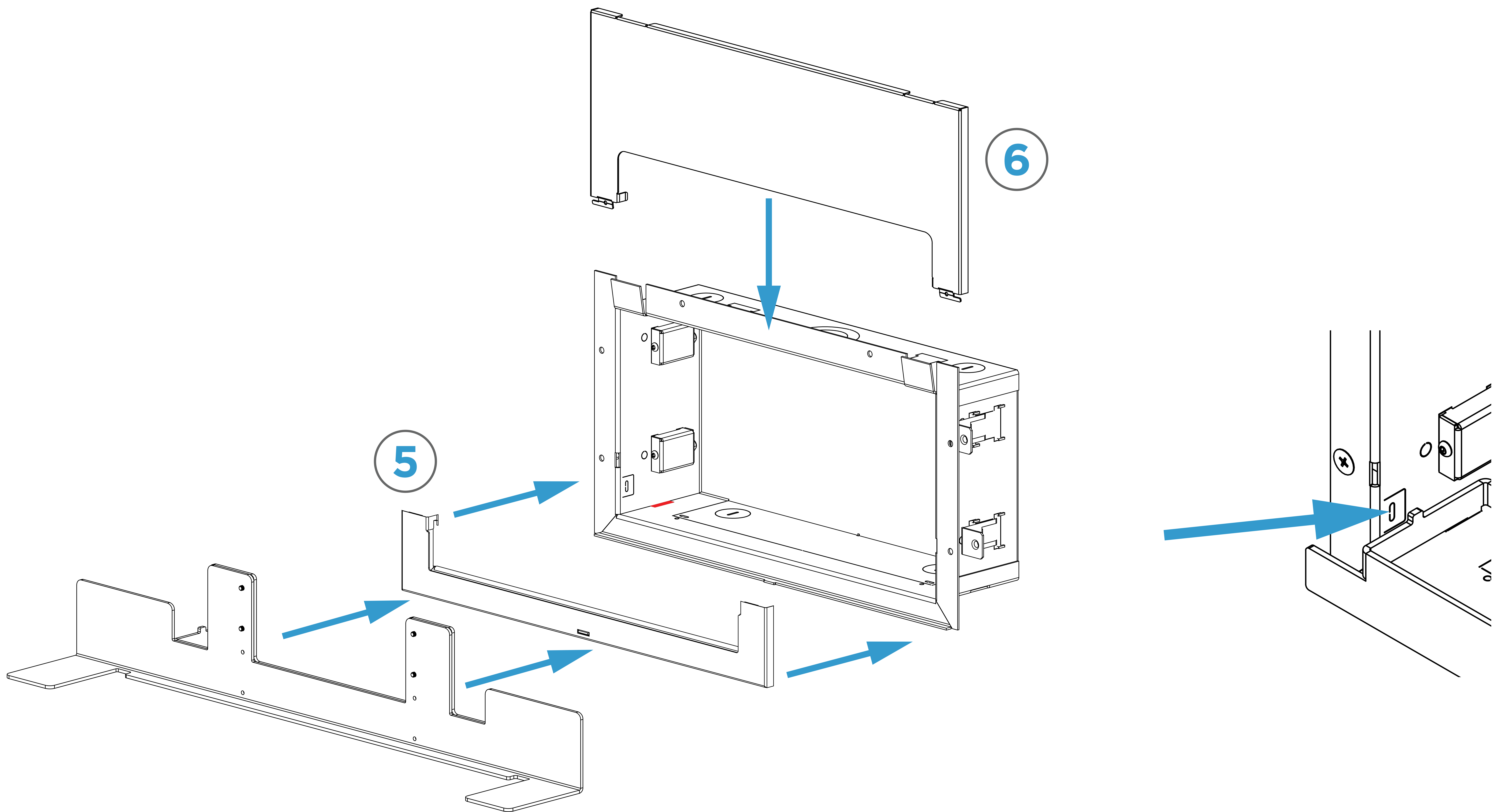
Below Monitor



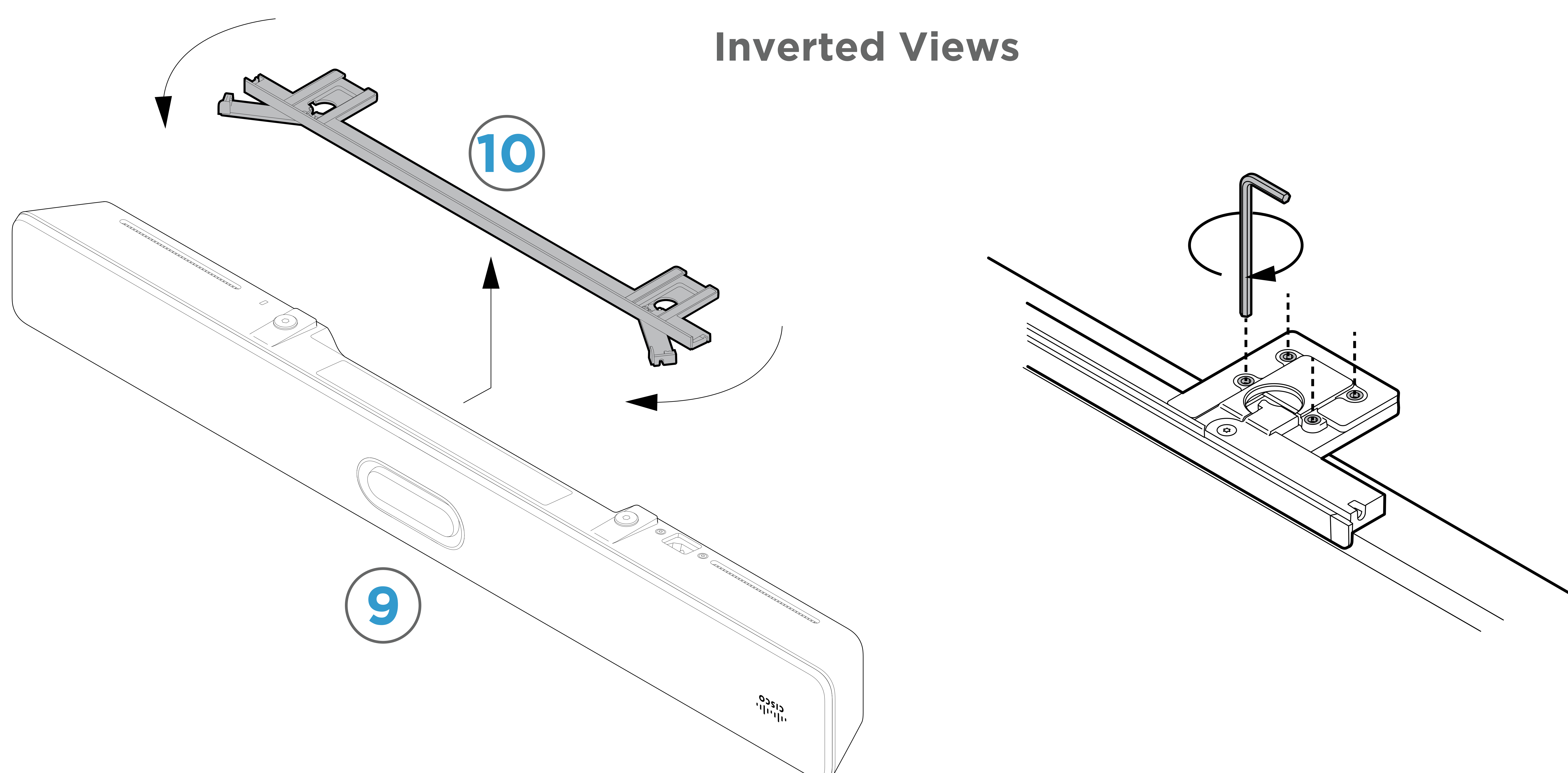
Above Monitor



STEP 3: Hook Cubby Split Face Bottom (No. 5, Qty 1) down into slots of backbox. Now slide Camera/Adapter Plate assembly into Cubby slots (shown in red) and push forward to engage. Now pry tabs inward to lock Camera Plate in place, and then slide Cubby Face Plate Top (No. 6, Qty 1) onto tabs in Cubby backbox.



STEP 4: Rotate outer locking tabs on Cisco Mounting Bracket (No. 10, Qty 1) and remove bracket from Room Bar Pro (No. 9, Qty 1). Slide bracket onto tabs of Adapter Plate and secure with Cisco supplied 3mm Hex-L-Key.



STEP 5: Place camera on bracket assembly and pivot locking tabs back flush into place.

